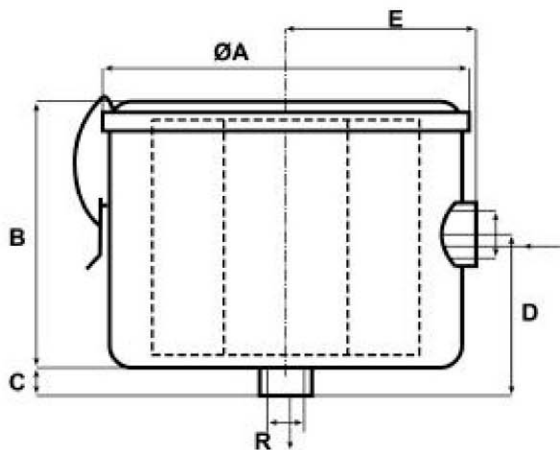


COMPLETE FILTERS FOR VACUUM PUMP DIMENSIONS



| FILTO REF. | FLOW RATE m3/h | DIMENSIONS | | | | | | | WEIGHT Kg. | SPARE PARTS | |
|------------|----------------|------------|---|-----|-----|----|-----|------------|------------|-------------|-----------|
| | | R | A | B | C | D | E | FILTO REF. | | MANN REF. | |
| F.001 | 24 | G. 3/8" | F | 80 | 66 | 12 | 39 | 45 | 0,250 | K.2093 | - |
| F.002 | 42 | G. 3/4" | F | 110 | 76 | 14 | 53 | 54 | 0,560 | K.2034 | C.75 |
| F.002/1 | 42 | G. 1/2" | F | 110 | 76 | 14 | 53 | 54 | 0,560 | K.2034 | C.75 |
| F.003 | 108 | G. 1"1/4 | F | 170 | 141 | 17 | 93 | 96 | 1,750 | K.2051 | C.1337 |
| F.004 | 96 | G.1"1/4 | F | 133 | 85 | 17 | 53 | 78 | 0,960 | K.2032 | C.1112 |
| F.004/1 | 85 | G.1" | F | 133 | 85 | 17 | 53 | 78 | 0,960 | K.2032 | C.1112 |
| F.005 | 192 | G.1"1/2" | F | 170 | 170 | 18 | 124 | 100 | 2,100 | K.2070 | - |
| F.006 | 310 | G.2" | F | 200 | 240 | 18 | 124 | 114 | 3,800 | K.2050 | C.15124/1 |
| F.006/1 | 360 | G.2"1/2 | F | 200 | 240 | 18 | 124 | 114 | 3,900 | K.2050 | C.15124/1 |
| F.006/30 | 390 | G.3" | F | 200 | 240 | 18 | 124 | 114 | 3,950 | K.2050 | C.15124/1 |
| F.007 | 550 | G.3" | F | 270 | 180 | 50 | 145 | 165 | 12,500 | K.2063 | C.21138/1 |
| F.008 | 720 | G.4" | F | 270 | 180 | 50 | 145 | 165 | 13,800 | K.2063 | C.21138/1 |
| F.009 | 1080 | G.3" | F | 280 | 395 | 50 | 330 | 190 | 17,500 | K.2211 | C.20325/2 |
| F.010 | 1260 | G.4" | F | 360 | 590 | 50 | 400 | 230 | 20,000 | K.2086 | C.24650/1 |
| F.002/1.0 | 42 | G.1/2" | M | 110 | 76 | 14 | 53 | 54 | 0,560 | K.2034 | C.75 |
| F.003.10 | 108 | G.1"1/4 | M | 170 | 141 | 17 | 93 | 96 | 1,750 | K.2051 | C.1337 |
| F.004.10 | 96 | G.1"1/4 | M | 133 | 85 | 17 | 53 | 78 | 0,960 | K.2032 | C.1112 |
| F.006.10 | 360 | G.2" | M | 200 | 240 | 18 | 124 | 114 | 3,900 | K.2050 | C.15124/1 |
| F.007.10 | 550 | G.3" | M | 270 | 180 | 50 | 145 | 165 | 12,500 | K.2063 | C.21138/1 |
| F.004/3 | 96 | NPT.1"1/4 | F | 133 | 85 | 17 | 53 | 78 | 0,960 | K.2032 | C.1112 |
| F.003/3 | 108 | NPT.1"1/4 | F | 170 | 141 | 17 | 93 | 96 | 1,750 | K.2051 | C.1337 |
| F.003/5 | 108 | NPT.1"1/2 | F | 170 | 141 | 17 | 93 | 96 | 1,750 | K.2051 | C.1337 |
| F.005/3 | 192 | NPT.1"1/2 | F | 170 | 170 | 18 | 124 | 100 | 2,100 | K.2070 | - |
| F.006/3 | 310 | NPT.2" | F | 200 | 240 | 18 | 124 | 114 | 3,800 | K.2050 | C.15124/1 |
| F.006/5 | 360 | NPT.2"1/2 | F | 200 | 240 | 18 | 124 | 114 | 3,900 | K.2050 | C.15124/1 |
| F.008/2 | 720 | NPT.4" | F | 270 | 180 | 50 | 145 | 165 | 13,800 | K.2063 | C.21138/1 |

LEGENDA: F= Boccia Femmina / Female Connection M= Boccia Maschio / Male Connection